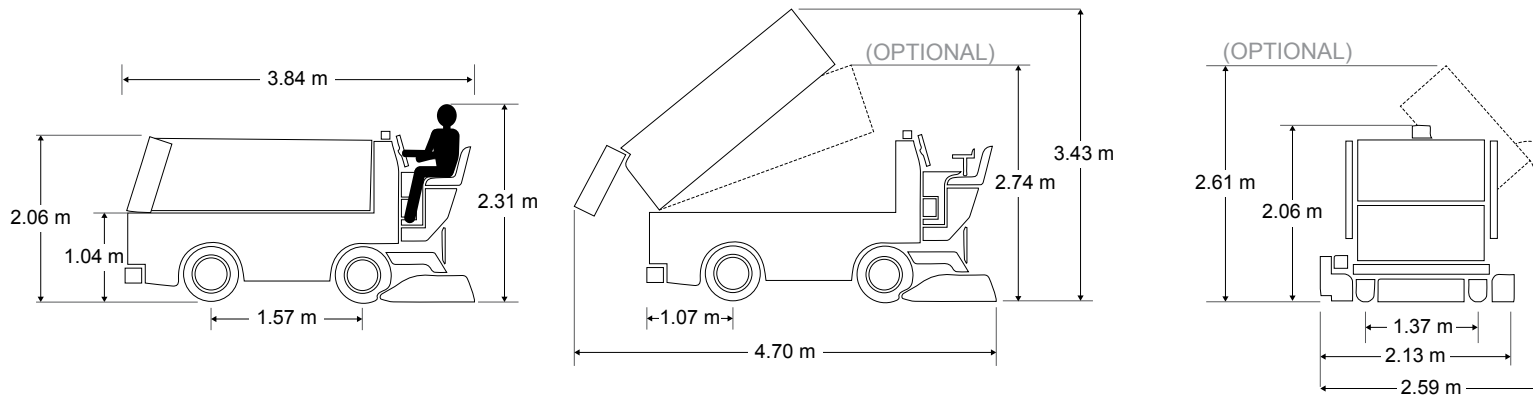


MODEL 446



CAPACITIES

Snow Tank

Actual Volume	2.66 m ³	94 cu. ft.
Compacted	3.17 m ³	122 cu. ft.

Water

Ice Making	627 L	166 gal.
Wash Water	218 L	58 gal.
Total	845 L	224 gal.

Hydraulic Oil	72 L	19 gal.
----------------------	------	---------

POWERTRAIN

Four-Wheel Drive	
Engine	Mitsubishi® 2.4 L / 59 HP at 3000 RPM Four Cylinder Liquid Cooled
Transmission	Continuously variable hydrostatic pump and motor are axial-piston type.
Hydraulics	Powerful single pump for the vertical and horizontal augers. Hydraulic down pressure for optimal resurfacing results.

Axles

Front	1950 kg	4300 lb
Rear	2177 kg	6400 lb

Brakes	Full Hydrodynamic Braking
---------------	---------------------------

DIMENSIONS

Overall

	L	W	H	L	W	H
Snow Tank Down	3.84 m	2.13 m	2.06 m	151 in.	84 in.	81 in.
Snow Tank Up	4.70 m	2.13 m	3.43 m	185 in.	84 in.	135 in.

Shaving Blade

	L	W	H	L	W	H
	195.6 cm	12.7 cm	1.27 cm	77 in.	5 in.	0.5 in.

Clearance

Minimum Operator Height Clearance	2.31 m	91 in.
Snow Pit Clearance	104.1 cm	41 in.

Conveyor System

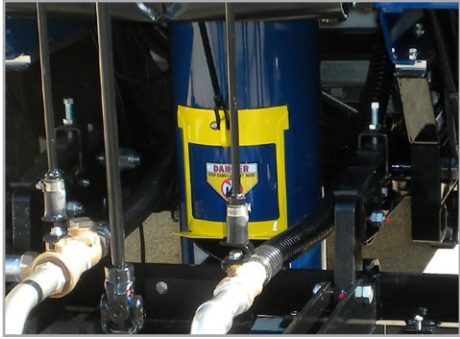
Horizontal Auger Diameter	25.4 cm	10 in.
Vertical Auger Diameter	25.4 cm	10 in.

Manueverability

Wheelbase	1.57 m	62 in.
Wheel Track	1.37 m	54 in.
Turning Radius at Conditioner	4.57 m	15 ft.

Weight

Empty	2660 kg	5860 lb
with Water	3285 kg	7240 lb



Automatic Snow Breaker

Eliminates the need for manual control of the snow breaker by the machine operator.



Zamboni Power Brush™

Wider brush path reaches higher on the dasher board kick plate for superior cleaning power.



Ergonomic Seat

Designed with the operator in mind, our premium seat has optimal adjustability.

MODEL 446

Saunders Equipment Ltd.
57 Pepin Road
Fredericton, NB E3B 8J9
Ph. 506-458-9460
www.saunders.nb.ca
Email:
sales@saunders.nb.ca

STANDARD FEATURES

2 Year Warranty
Chassis: Strong All Welded Steel Tubing
Conditioner Safety Guards
Digital Training and Reference Materials
Engine: CAN Bus System
Engine: EPA and CARB Certified
Familiar Automobile-Style Foot Controls
Four-Wheel Drive
Fuel Options: CNG, Gasoline, Propane
Full Hydrodynamic Braking
Guide Wheel
Headlights and Tail Light (for Off Ice Travel)
High Quality 10 and 25 Micron Filters
High Speed Vertical Auger
Hydraulic Oil Level Sight Gauge
Load Sensing Engine Governor
Multi-Function Display
On-Dash Diagnostics
Parking Brake

Power Steering
Replaceable Poly Conditioner Side Plates
Rugged Dana Spicer® Axles
Rust-Free Poly Ice Making Water Tank
Snow Tank Safety Stand
Stainless Steel Hardware
Steering Wheel Spinner Knob
Touch-Up Paint Kit
Tungsten Carbide Studded Tires
Under Seat Storage
Wide Spectrum of Premium Automotive Paint Colors

OPTIONS

400 Micron Wash Water Deep Filter Bag
Automatic Snow Breaker
Back Up Alarm
Blade Change System
Chrome Wheels
Conditioner: Galvanized
Electric Water Level Gauge
Engine Diagnostic Computer Interface Tool
[FastICE® Advanced Ice Making System](#)
Fire Extinguisher
Heated Ergonomic Comfort Design Seat
• Armrest
• Seatbelt
Hydraulic Oil Cooler Kit
IceCaps® Wheel Advertising System
Level Ice™ Laser Leveling System
Low Fuel Light
Premium Black Acrylic Spreader Towel
Rotating Beacon Light

Side Snow Tank Dump
Snow Melting Kit
Snow Tank Dump Height Restriction
Snow Tank Light
Snow Tank Non-Stick Liner
Tire Wash System
Wash Water to Ice Making Water Transfer
Water Level Sight Gauge