

F-10 and F-15 Models

COMBINATION JET/VAC TRUCK MOUNTED UNIT

The new **F-Series** combination jetting and vacuuming units are designed to provide superior utilization and efficiency for cleaning storm and sanitary sewers, catch basins, lift stations, wet wells and treatment plants in municipal and industrial applications.



SOME FEATURES SHOWN MAY BE OPTIONAL



Top loading



Modular



Operator friendly

FEATURES

Debris Body and Loading

Cylindrical design, top front loading. High strength steel, corrosion and abrasion resistant. Has increased space for higher useable loads. Capacity of 10 to 15 yards.

Boom

The top loading boom powers up/down, and extends to 26 feet from tank inlet. Top loading provides even load distribution. Does not rise with debris body.

Single Engine Drive

Dramatically decreases fuel consumption, maintenance expenses, sound levels, weight on chassis, and initial chassis price. Chassis engine powers all systems.

Water Pump

Continuous flow, triplex reciprocating water pump is rated up to 80 GPM at 2000 PSI. Flooded suction line with water level above pump. Designed with run dry technology.

Unloader Valve

Allows for complete control of water flow and pressure independent from vacuum power. Permits use of various nozzles designed for your specific application. Optional.

Water Tanks

Constructed of high strength, internal baffled aluminum with external liquid level indicators. Water tanks are fixed to unit sub-frame and do not rise with debris body.

Front Mounted Reel

The 180° rotating front mounted reel facilitates easy unit placement. Reel capacity designed and engineered for 800 feet of 1 inch hose. Hydraulic power tilt that allows reel to easily be moved to open the hood for daily inspection.

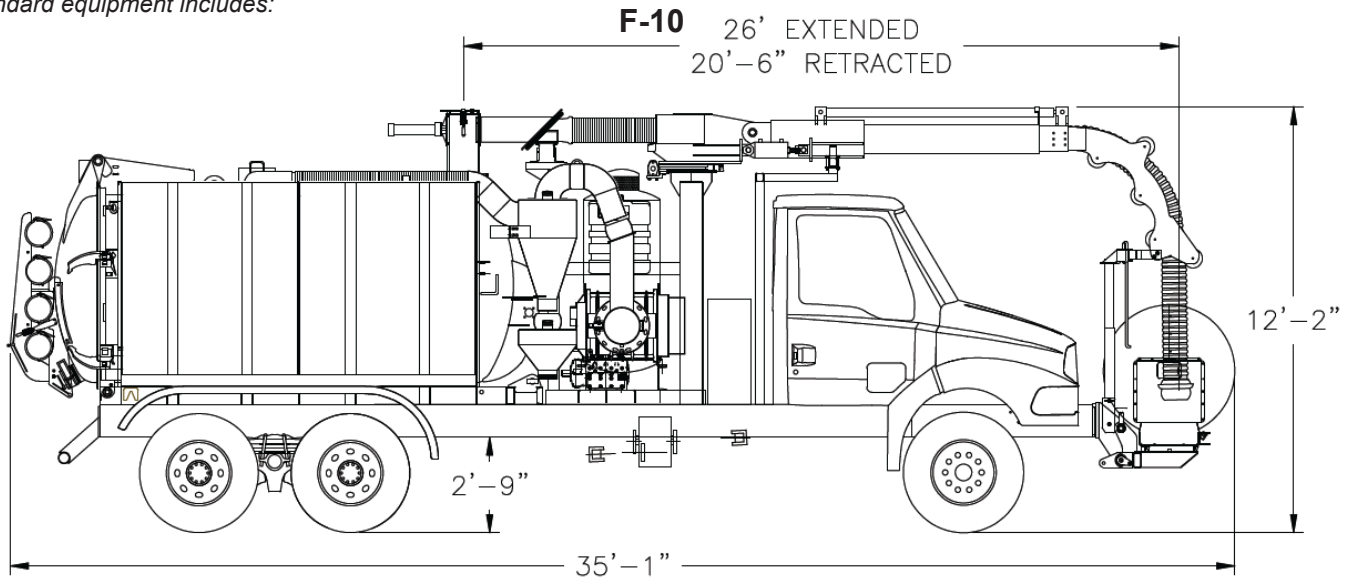
Vacuum Producer

Units are supplied with positive displacement rotary lobe "Roots-type" blowers. Utilizes minimal horsepower for maximum performance; more efficient than other air conveyance systems. Higher vacuum, positive airflow.

Same proven AQUATECH Components as B-Series units!

Simple modular design for ease of operation, maintenance and maximum efficiency.

Standard equipment includes:



AIR/VAC SYSTEM

- Positive displacement exhauster
- 2700 CFM (4588 m³/h) operating capacity, 16" Hg. vacuum
- Durable poly chain drive
- Muffler silencer
- Protected by micro-filter/ centrifugal separator
- Cyclone separator
- Vacuum relief valves

DEBRIS TANK

- Top loading cylindrical design
- 10 cubic yards (7.6m³) F-10
- 15 cubic yards (11.5m³) F-15
- Dumping 45°
- Hydraulic power up/down cylinder
- Self-aligning closure seal
- Top-hinged full opening rear door
- Full rear door strainer
- Rear door security prop
- 4 hydraulic rear door locks
- Rear door open/close hydraulic cylinder
- Stainless steel ball check valve
- 6" (152 mm) quick opening rear drain valve
- 6" (152 mm) x 40' (12.2 m) lay flat discharge
- Debris level probe, light and alarm

BOOM

- Top mounted
- 180° hydraulic rotation
- Portable pendant, controls multi-function
- Internal boom valve
- 8" (203 mm) extra heavy duty rubber intake hose
- Extends to 26' (7.9 m) from tank inlet std.
- Powers up/down
- Front storage location
- Quick open cleanout

WATER SYSTEM

- Triplex reciprocating
- 80 GPM (303 liters)
- 2000 PSI (172 bar)
- Suction strainer
- Durable poly chain drive
- Pressure relief valve
- Water flow control valve
- Air valve on pump for cold weather operation
- Wash down gun connection, 800 PSI (55 bar) relief valve
- Wash down gun with 35' (10.7 m) of 1/2" (12.7 mm) hose

WATER TANK

- F-10 1100 gal. (4164 liters)
- F-15 1650 gal. (6246 liters)
- Tanks independent of debris tank
- Aluminum construction
- Fully baffled
- Anti-syphon air gap protection
- Curb side fill
- 2 liquid level indicators
- Removable inspection covers

HOSE REEL

- Front mounted
- 180° rotating
- 400' (122 m) of 1" (25.4 mm), 2500 PSI (172 bar) hose
- 800' of 1' (248 m) hose capacity
- Reel speed control valve
- Hose levelwind
- Hydraulic drive pay in/ pay out
- Pneumatic foot control pedals
- Automatic positioning lock
- Operator control panel located on reel with engine throttle, vacuum/ pressure gauge, tachometer, and water pressure gauge

POWER TAKE-OFF

- Split shaft transfer case
- Pneumatic shifting
- Hot shift at operator's station for PD pump and water pump

ACCESSORIES, STANDARD

- Hinged, tank support prop
- 8"x8' (203 mm x 2.4 m) aluminum extension tube
- 8"x6' (203 mm x 1.8 m) aluminum intake tube
- Operation, parts and service manuals (1 hard copy and one CD)
- 15° nozzle
- 35° nozzle
- Manhole hose guide
- Painted one color, acrylic enamel
- Touch-up paint
- 1 behind the cab aluminum tool box
- 4 tube hydraulic tube rack on rear door
- Aluminum fenders
- Mud flaps

VACUUM/ DEBRIS TANK OPTIONS

- Waste water pump off system
- Internal flush-out system
- PD blowers to 4500 CFM
- Waste-water recycling
- Stainless steel tank
- Tank vibrator

WATER SYSTEM OPTIONS

- Cold weather recirculation
- Rubber leader hose
- 35-160 GPM (132-605 liters) water pumps
- Pressure: 0-3000 PSI (207 bar)
- Increased water capacity
- Lateral system
- Hydro-excavation system
- Wash down system

OTHER OPTIONS

- Counter for levelwind
- Street flushers
- Debris and water tank interconnect
- Power deck shroud and skirting
- Safety lighting system

Additional options, parts, and accessories available upon request. Specifications are subject to change without notice. Some photographs may show optional equipment. All ratings are calculated at sea level.

Patents applied for.



117 Industry Road
Marietta, Ohio 45750
1-800-752-2400
www.hi-vac.com